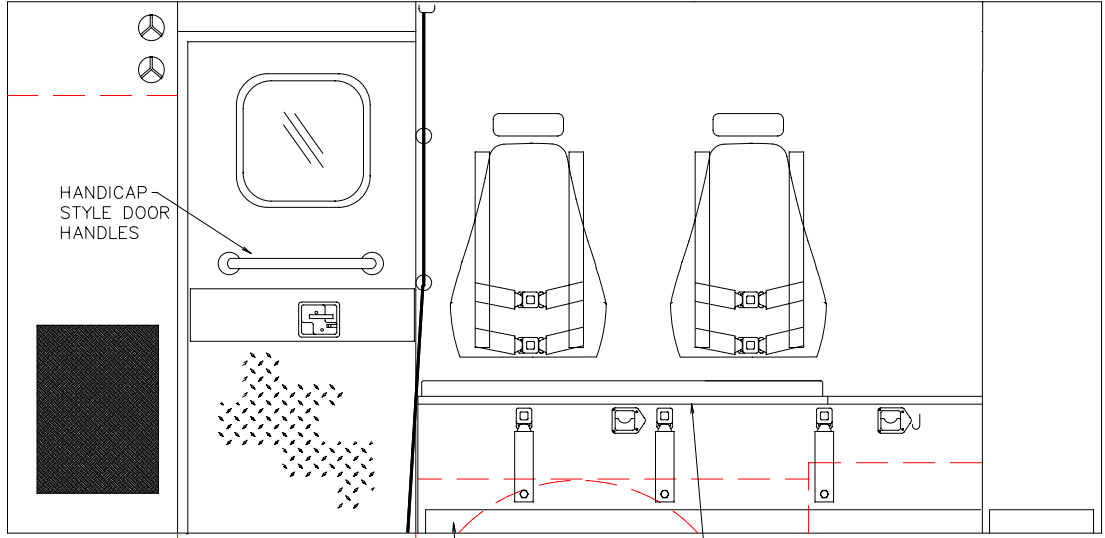
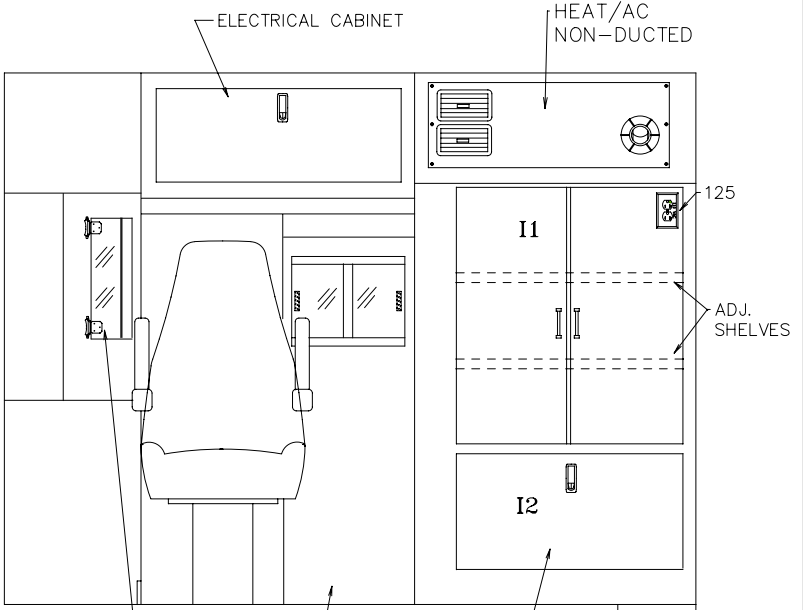
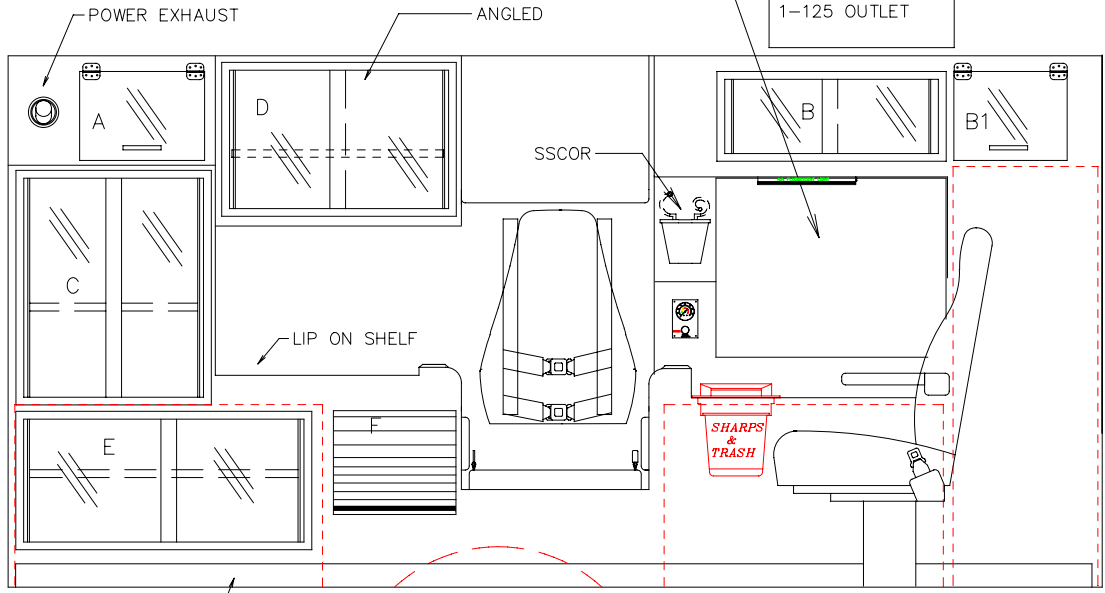


CONCEPTIONAL DRAWINGS ONLY: DRAWINGS ARE NOT TO SCALE, ALL MEASURES ARE APPROXIMATE & SUBJECT TO ENGINEERING CHANGE

2-02 OUTLETS
1-SWITCH PANEL
2-12VDC OUTLETS
1-125 OUTLET




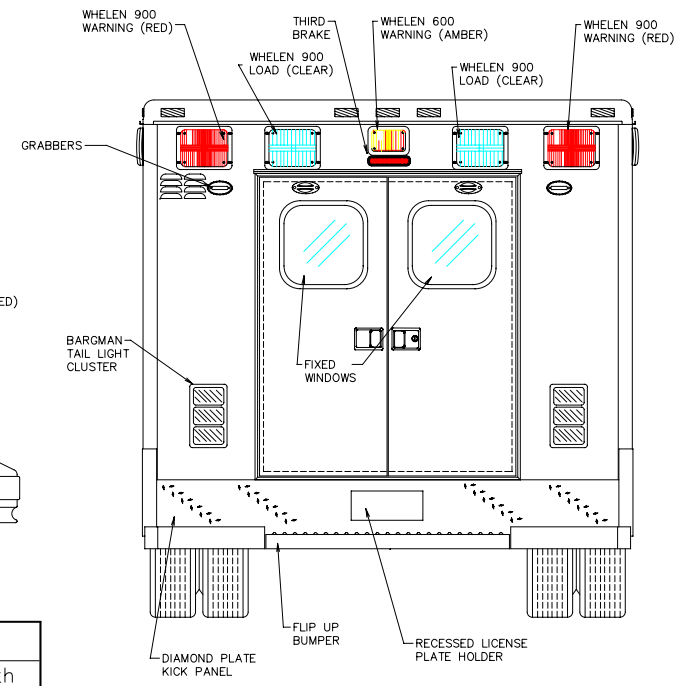
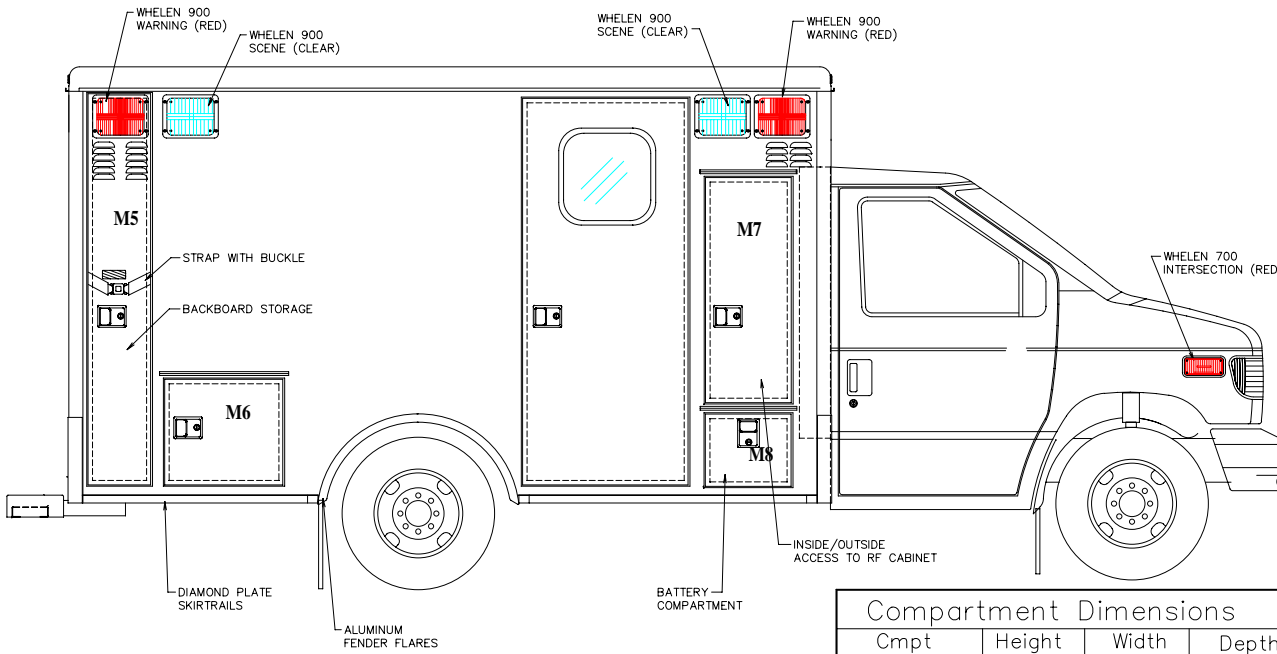
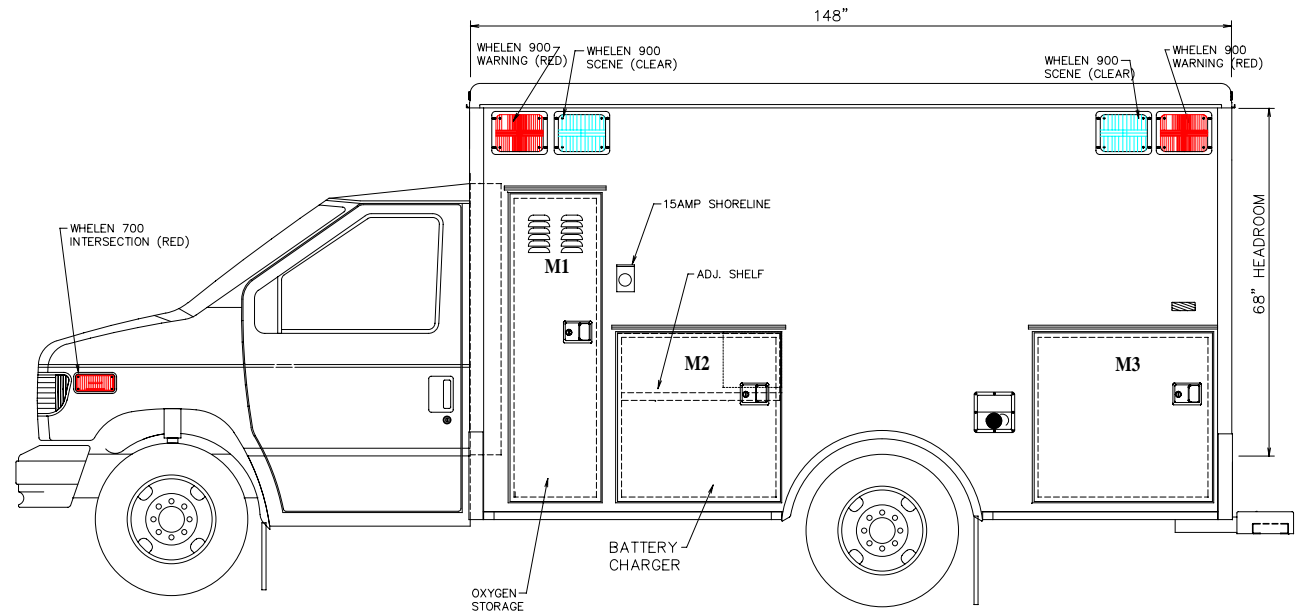
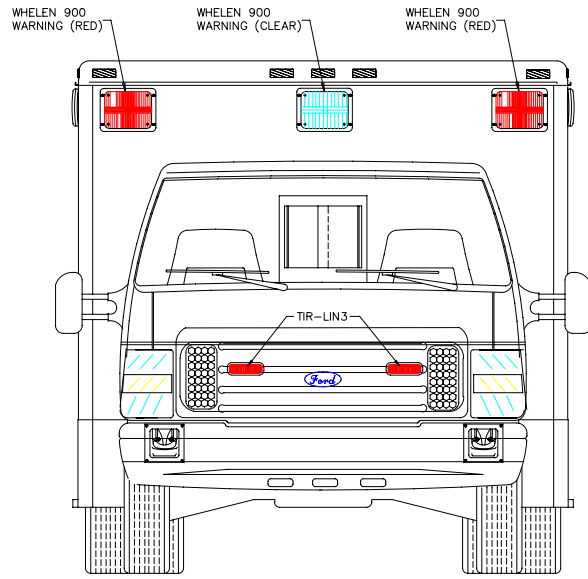
*CONCEPTIONAL DRAWINGS
* Some shown are optional
* Due to AEV's ongoing improvements, drawings can change.

AEV

AMERICAN EMERGENCY VEHICLES

TITLE	Type 3, 148", Interior	
DWG.#	REV.#	
TRUCK.#		
BY:	DATE	


Customer:



Compartment Dimensions			
Cmpt	Height	Width	Depth
M1	58.5"	19.6"	19.4"
M2	31.5"	30.1"	19.4"
M3	31.5"	32.6"	11"
M5	FULL HEIGHT	10.5"	21"
M6	17.2"	21.8"	19.4"
M7	42.6"	18.3"	N/A
M8	12.1"	18.3"	21.4"
C/S Access	FULL HEIGHT	31"	N/A
Rear Access	56-5/8"	46-3/4"	N/A



AMERICAN EMERGENCY VEHICLES		Customer:
TITLE Type 3, 148", Exterior		
DWG#	REV.#	
TRUCK#		
BY:	DATE	
BODY #:		

*CONCEPTIONAL DRAWINGS
 * Some shown are optional
 * Due to AEV's ongoing improvements, drawings can change.