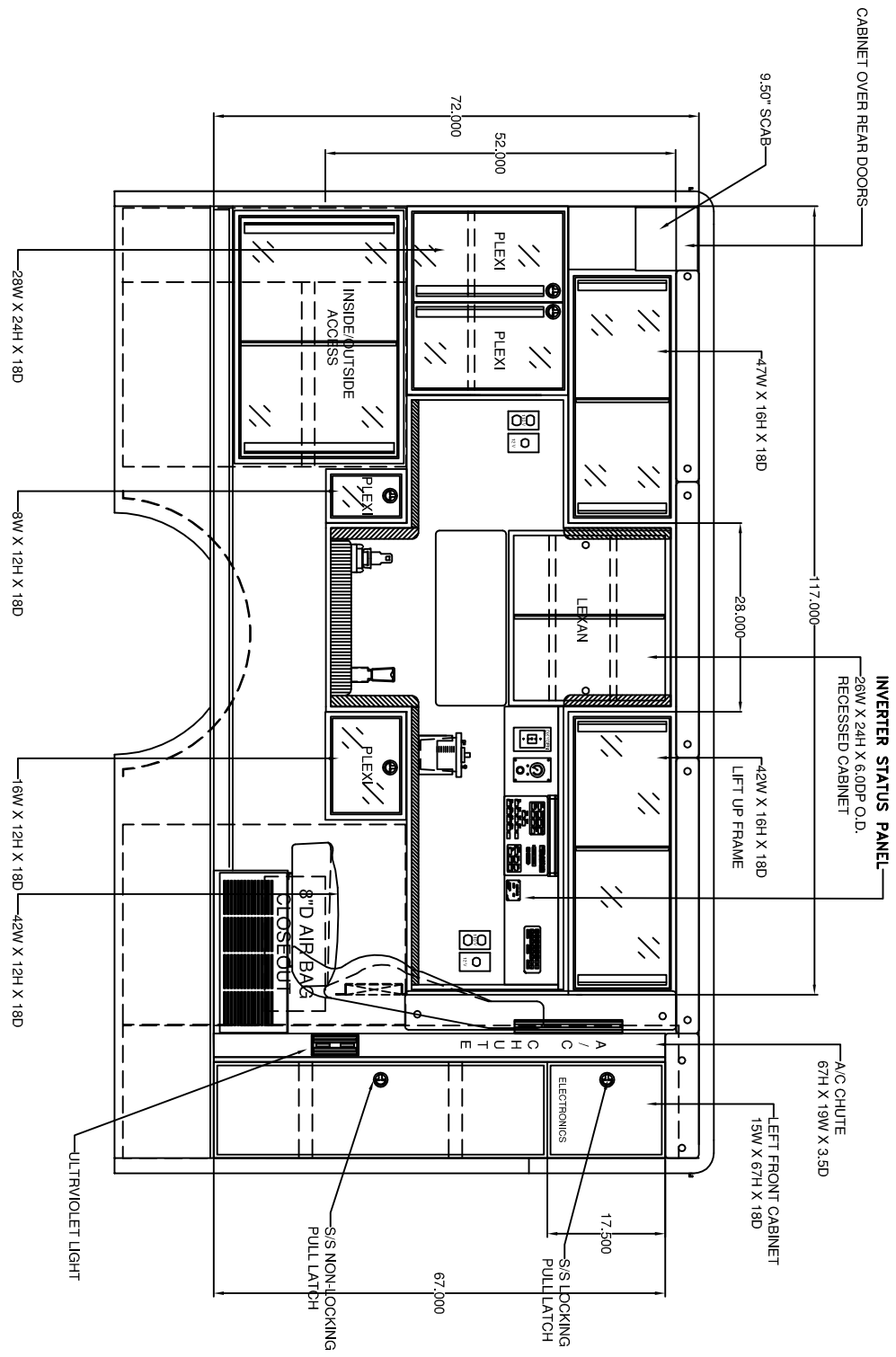


SKENESBOROUGH EMS

REVISIONS	
REV	DESCRIPTION
A	453-3 CABINET WALL B
	DATE 5/14/09
DRAWN BY: XXXXXXXXXXXXXXXXXXXX	

453-3 CABINET WALL "B"



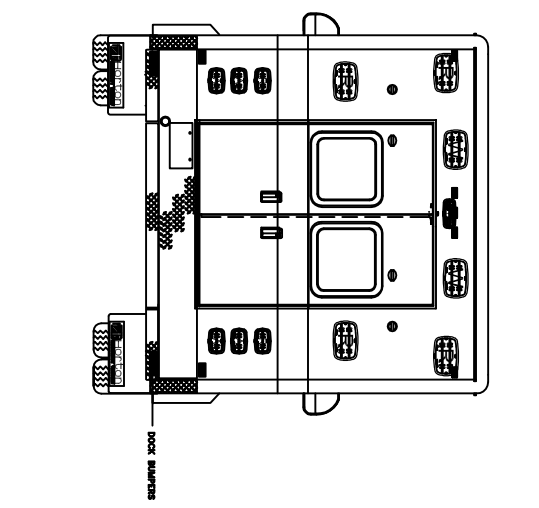
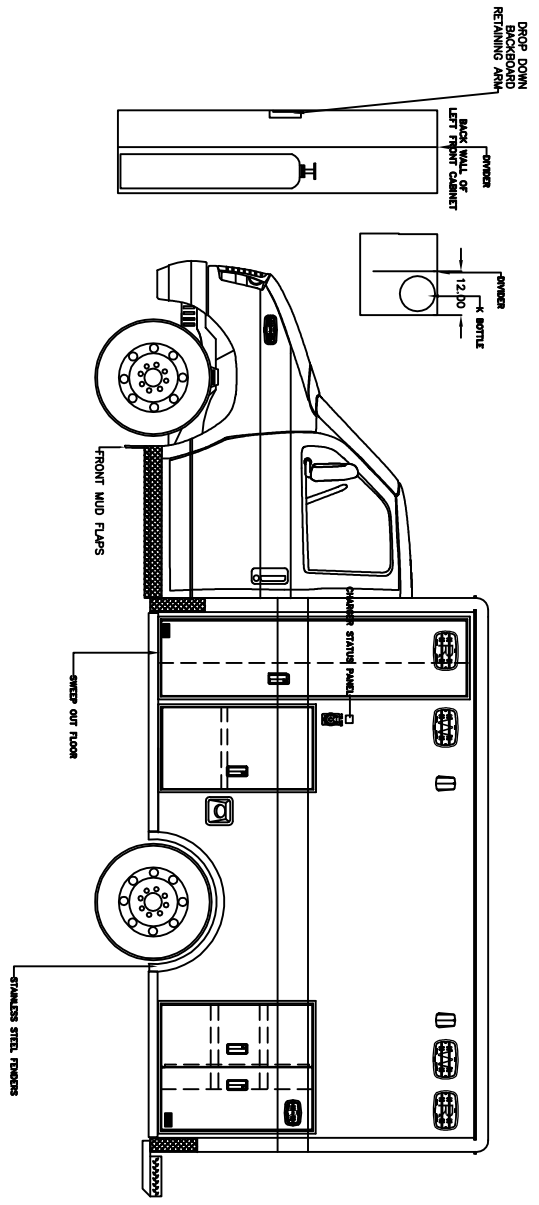
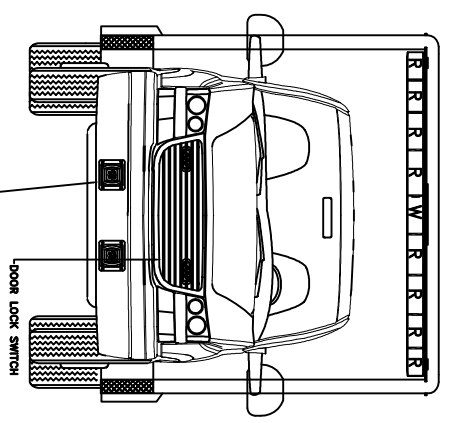
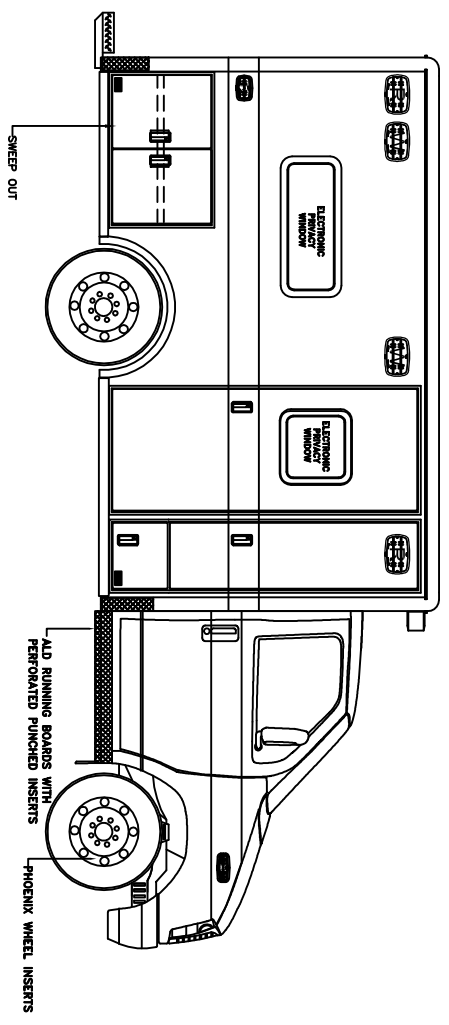
PROPOSAL DRAWING

1012-108

SKENESBOROUGH EMS

453 EXTERIOR CHEVY CHASSIS

REV	DESCRIPTION	DATE	APPROVED
C	5847X	10-31-09	

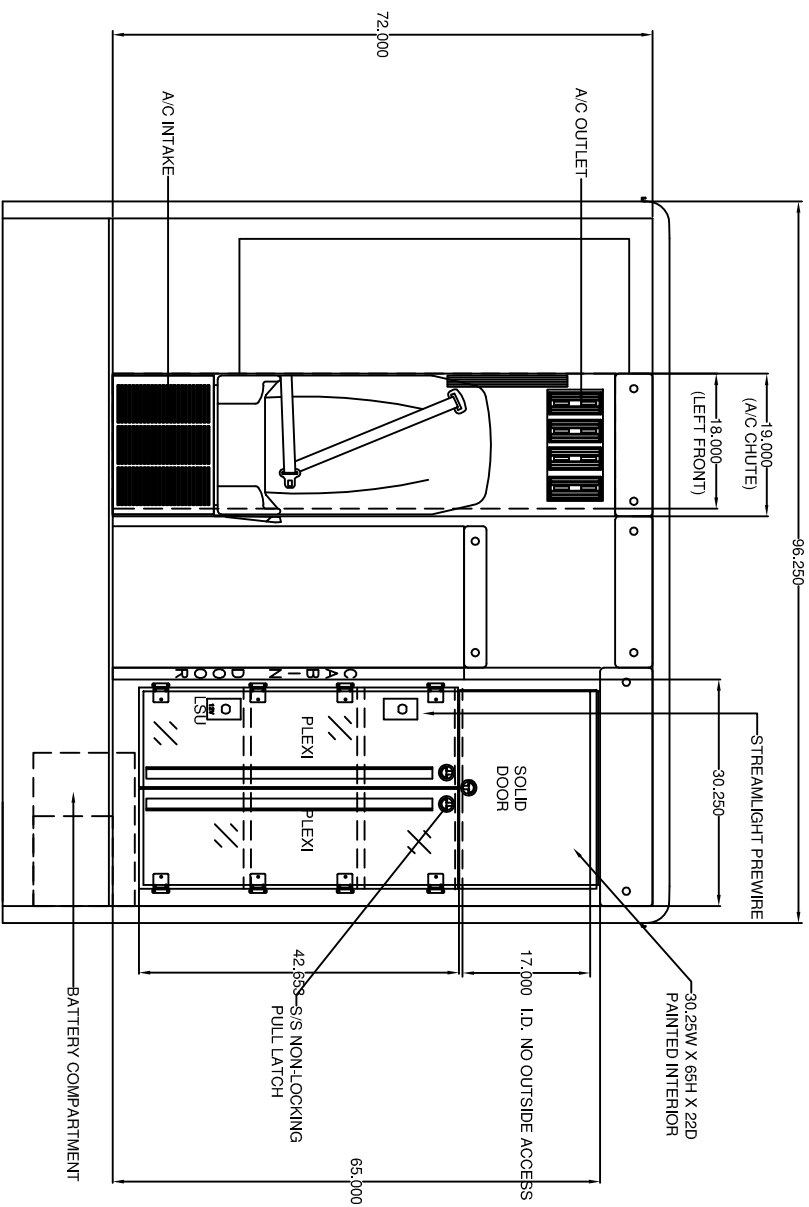


DRAWING DEPICTS LIGHTBAR OPTION

PROPOSAL DRAWING

SKENESBOROUGH EMS

453-3 FRONT WALL



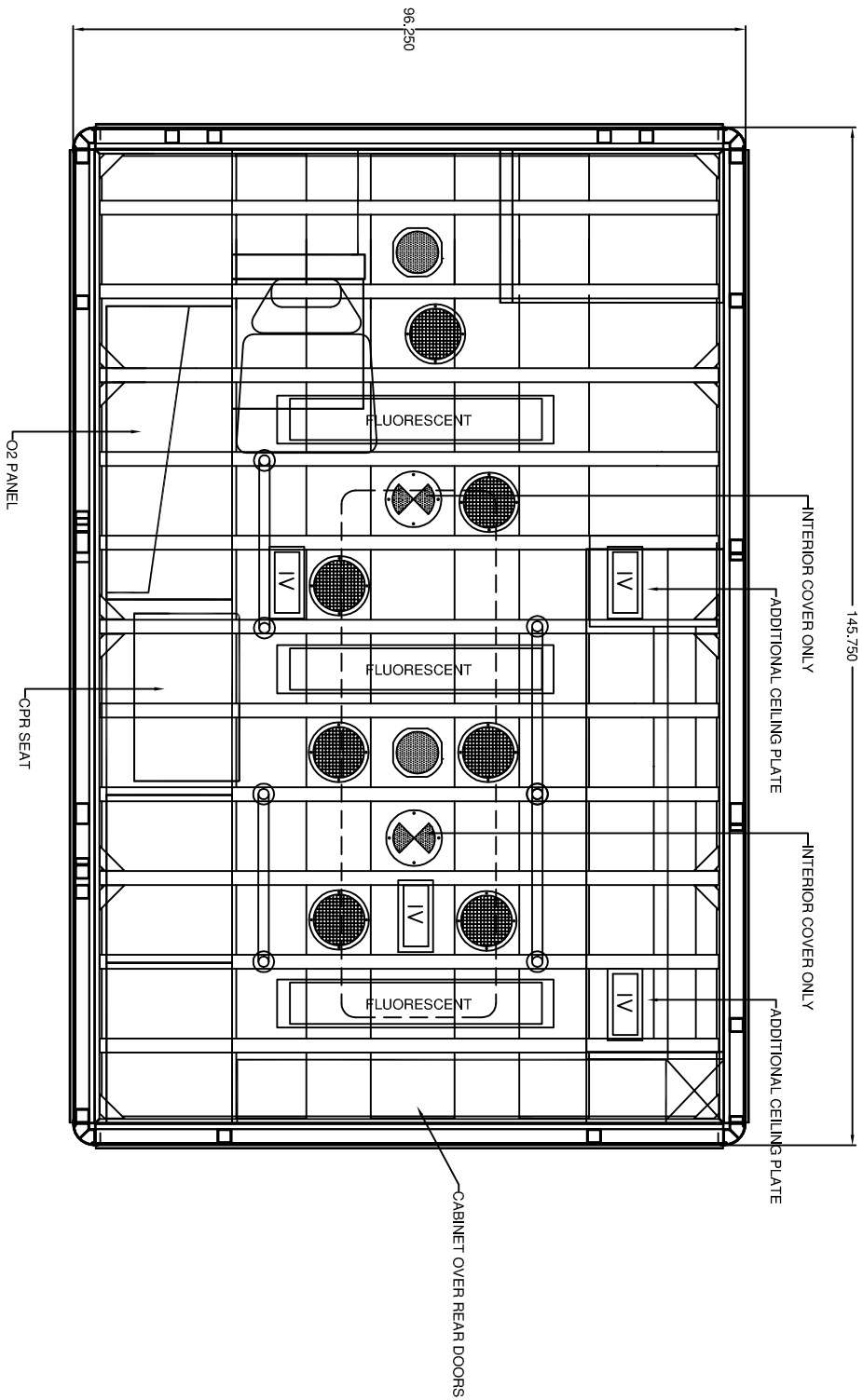
PROPOSAL DRAWING

1012-108

REVISIONS		
REV	DESCRIPTION	DATE
A	453-3 FRONT WALL	10/28/09
DRAWN BY: XXXXXXXXXXXXXXXXXXXX		

SKENESBOROUGH EMS

453-3 OVERHEAD "B" WITH CPR SEAT
E-SERIES CHASSIS



REVISIONS	
REV	DESCRIPTION
A	453-3 OVERHEAD B
	DATE 5/5/09

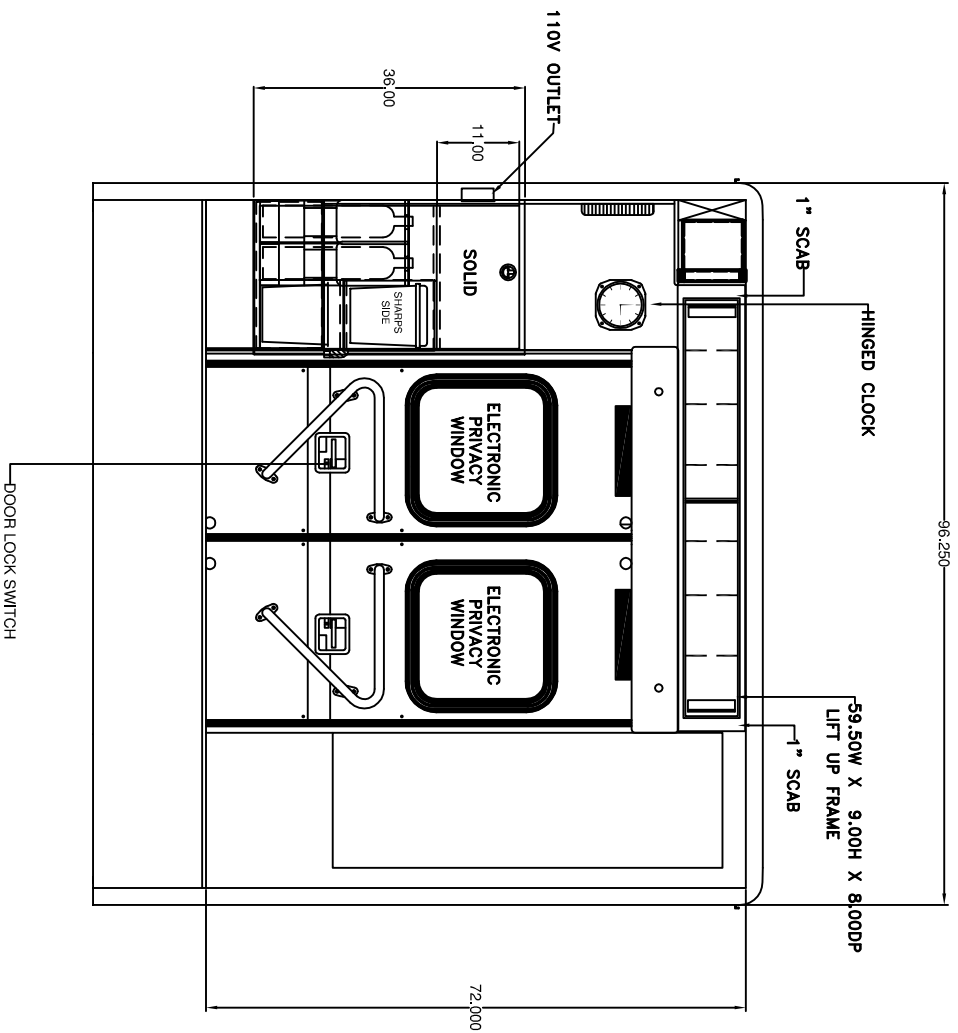
DRAWN BY: XXXXXXXXXXXXXXXXXXXXXXX

PROPOSAL DRAWING

1012-108

SKENESBOROUGH EMS

453-3 REAR WALL



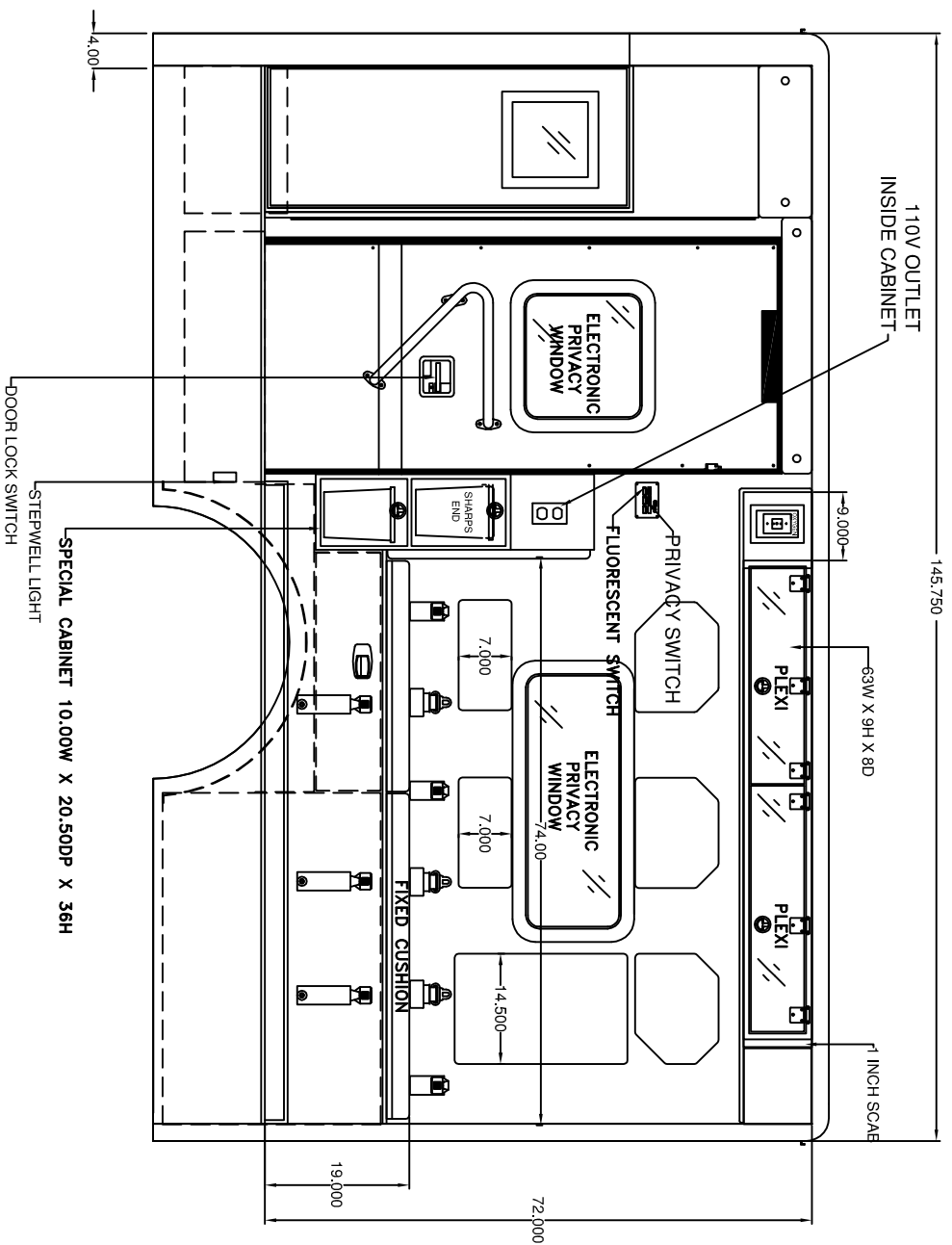
PROPOSAL DRAWING

1012-108

REVISIONS		DATE
REV	DESCRIPTION	DATE
A	453-3 REAR WALL	5/18/09
DRAWN BY: XXXXXXXXXXXXXXXXXXXX		

SKENESBOROUGH EMS

453-3 SIDE WALL

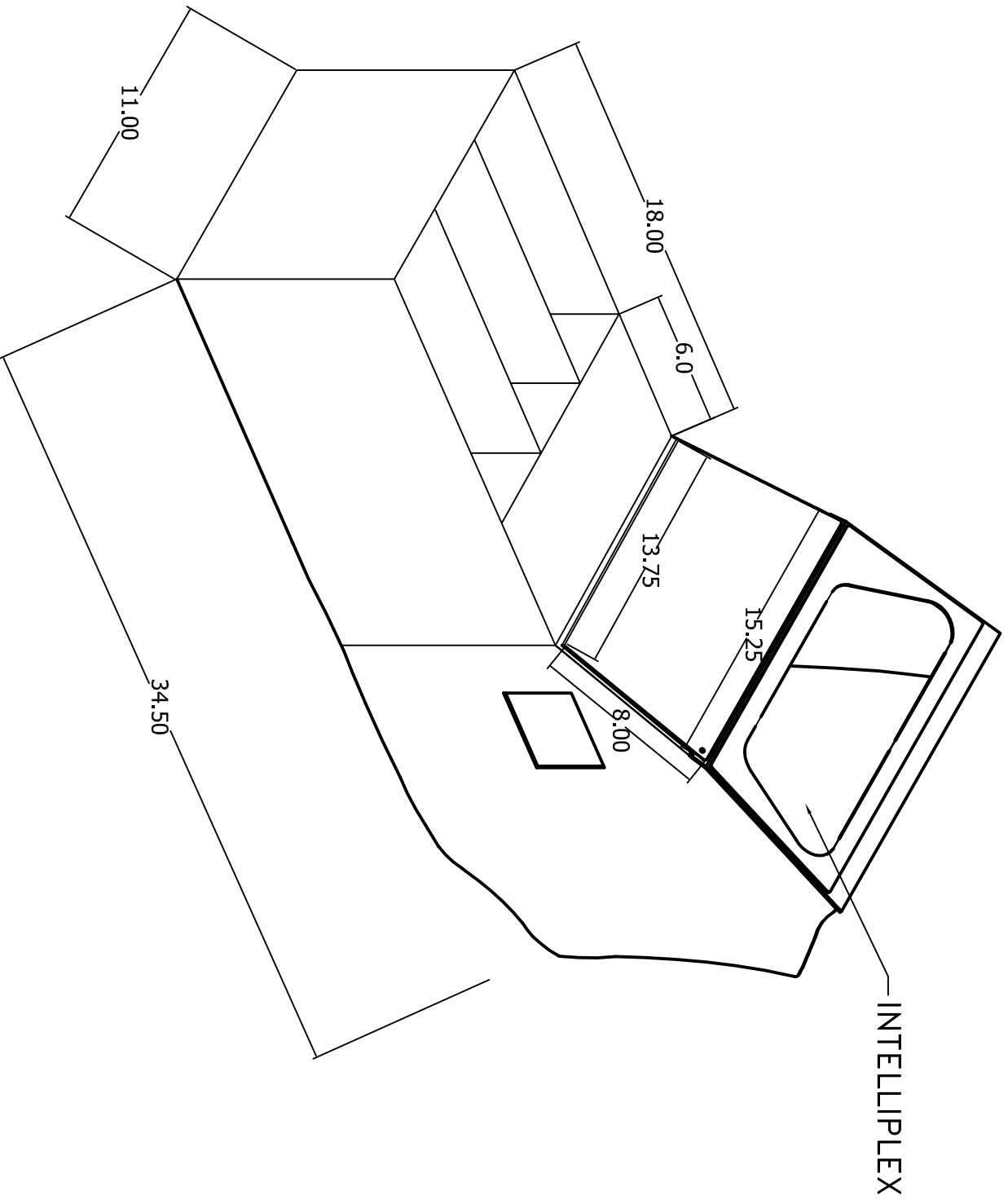


PROPOSAL DRAWING

1012-108

REVISIONS		DATE
REV	DESCRIPTION	DATE
A	453-3 SIDE WALL	5/13/09
DRAWN BY: XXXXXXXXXXXXXXXXXXXX		

REV	DESCRIPTION	DATE	APPROVED
C	SKENESBOROUGH EMS	10-31-09	



PROPOSAL DRAWING